



FIRE PIT

Sit down, relax.

Manufactured in Cape Town using **NiilTherm™** - a proprietary ceramic that is mechanically strong and 100% flame proof. All metal parts are either stainless steel or powder coated for durability. Made to last.

Guidelines for use.

The closed ash container makes this fire pit 100% safe to use on a wooden deck. Rubber fittings on the feet further protect your surface. Both wood and charcoal are suitable fuels. Always use the fire pit with the grate in place. A fire lighter and a few pieces of kindling is all that is needed to start a wood fire. For charcoal use 2 - 3 smaller pieces of fire lighter spread out evenly. Never use liquid fire starter, parafin or candles - liquids will soak into the clay or drip directly in the ash container. When using the fire pit as a braai, drippings from cooking is completely acceptable.

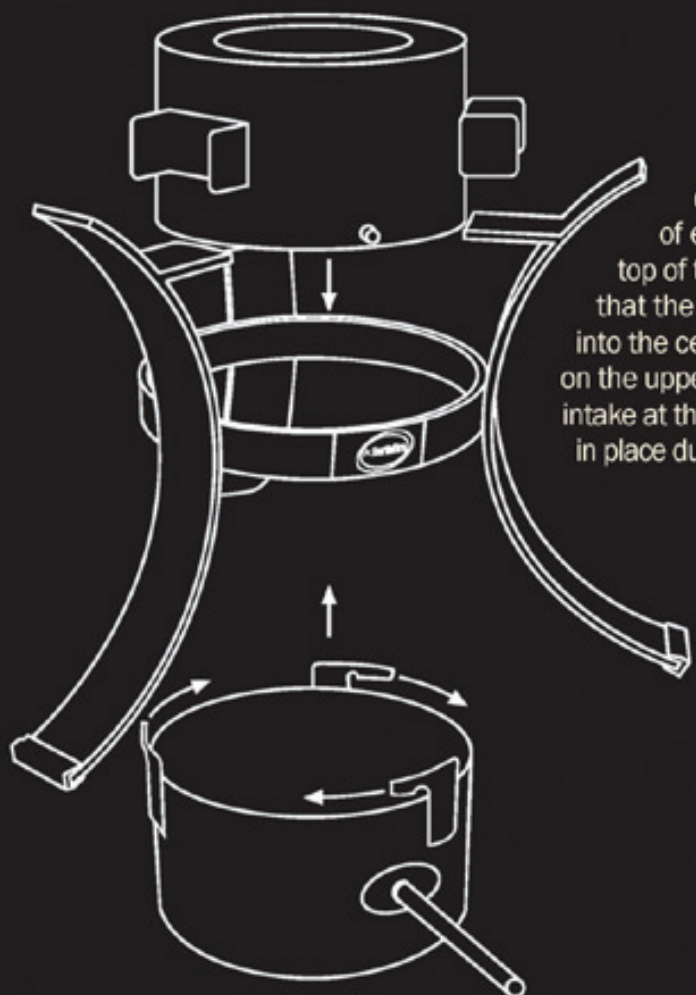
Maintenance and care.

With reasonable care this product will last a life time. Where possible, protect the firepit from direct rain when not in use. If the ceramic material is soaked with water, avoid making a

large fire right away. The firepit can be dried gently by making a small fire for the 1st 30 min. Clean only after the ashes have cooled. The grate has 2 larger holes in the centre to pick it up by, hold it at an angle and brush the ash off into the bowl. All the ash can then be brushed into the ash container through the air in-take hole at the bottom. The removeable portion of the ash container can hold the ash from two burns. If the gap between cleanings is longer, place a dustpan or sheet of newspaper underneath the ash container before removing the lower portion - this will prevent the excess ash from spilling onto the floor or deck. After the 1st fire you will notice bronze flame patterns burned into the glaze on the inside of the bowl, this is completely normal. A light wipe with a paper towel dipped in cooking oil will tone down the bright bronze to an attractive dull sheen and keep your firepit looking like new.

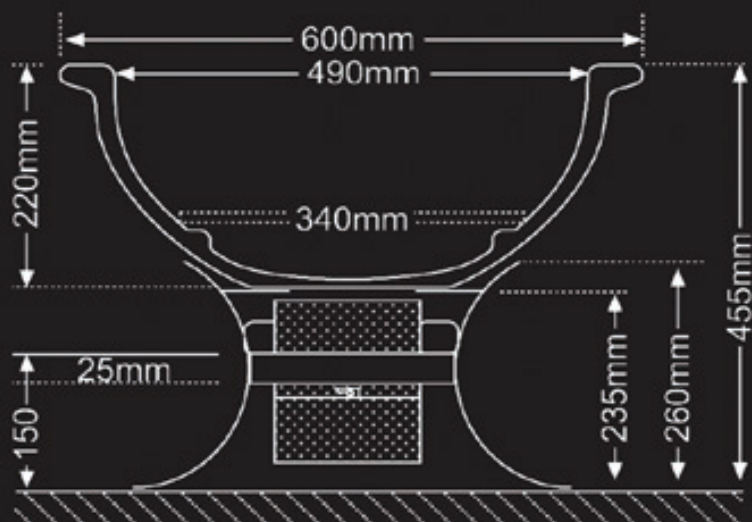
www.earthfire.co.za

29 Estmill Rd Diepriver, Cape Town • tel 021 715 3698



Assembly.

Bolt the three legs of the stand onto the central ring using the bolts and nuts provided. Place the flat supports at the top and the rubber feet at the bottom. When assembled, the central ring is kept stable by the welded support strips on the inside of each leg. Lower the upper portion of the ash container down through the top of the stand - line up the support brackets with the legs as indicated. Ensure that the small engagement bolts are at the bottom. Now slide the lower container into the centre of the stand, lift up and twist the hooks onto the engagement bolts on the upper portion as indicated. Rest the bowl on the flat supports, lining up the air intake at the bottom with the top opening of the ash container. The firepit can remain in place during cleaning, simply remove the lower ash container and empty as needed.



www.earthfire.co.za

29 Estmill Rd Diepriver, Cape Town • tel 021 715 3698